

# Stuga®

## Sawing Center

THE FULLY AUTOMATIC STUGA SAWING CENTER IS CAPABLE OF CUTTING MITRES, SQUARES AND ARROW HEADS ON ANY PVCU DOOR AND WINDOW PROFILE, IN ANY COMBINATION. THE MACHINE CAN BE PROGRAMMED DIRECTLY FROM THE KEYBOARD WITH THE USER FRIENDLY OPERATING INTERFACE, OR PROGRAMMED OFF-LINE VIA MEMORY STICK OR NETWORK LINKED TO THE OFFICE WINDOW DESIGNING PACKAGE. IT COMES COMPLETE WITH A MULTIBAR AUTO LOADING TABLE FOR UP TO 6.5 METRE PROFILE LENGTHS AND SHORTER OFFCUT LENGTHS.

THE MATERIAL IS ADVANCED WITH A SIMPLE PUSHER ARM, COMMON FOR ALL PROFILES. THIS ALLOWS THE MACHINE TO CUT TO THE VERY ENDS OF THE BAR, MINIMISING WASTAGE TO JUST THE UNAVOIDABLE SAWBLADE KERF. THE TWO FLAT, PARALLEL SIDES OF THE PROFILE ARE THE CUTTING DATUM, SO AN INFINITE RANGE OF PROFILE TYPES, BRANDS AND SIZES CAN BE ACCOMMODATED WITHOUT HAVING TO CHANGE THE MACHINE CONFIGURATION. THE MACHINE IS DESIGNED TO BE SIMPLE TO USE FOR LESS SKILLED OPERATORS.

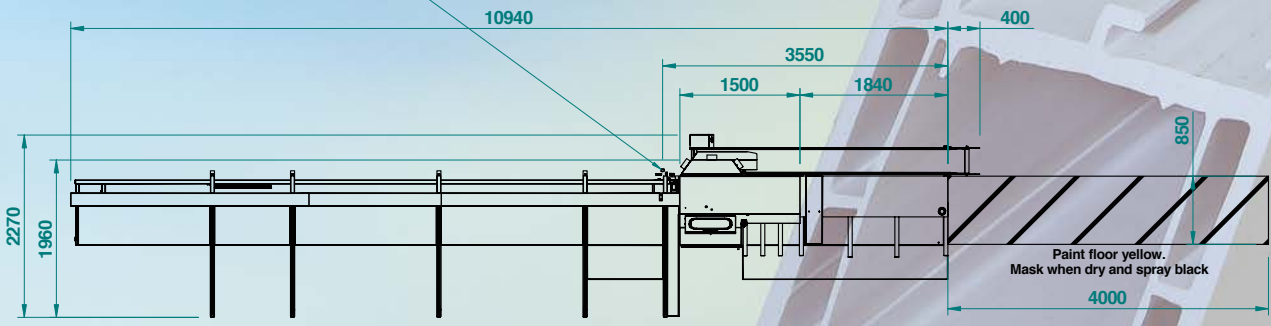


**WHY INVEST IN A DOUBLE MITRE SAW WHEN THE STUGA AUTOCUT SAW CENTER CAN DO SO MUCH MORE WITH LESS SKILL AND MORE ACCURACY AND CONSISTENCY? SUITABLE FOR ALL SIZES OF UPVC WINDOW AND DOOR FABRICATOR.**

# End Preparations



**SERVICES**  
 POWER: 415V 3Ph + neutral 15A AIR: 6-8 Bar @ 45cfm (PCL Connection) NETWORK: RJ45 Microsoft Network



PRODUCTION DIRECTION  
 (LOADED FROM THE LEFT) →

**SERVICES**  
 Power: 415V 3Ph + Neutral 15A  
 Air: 6-8Bar @ 45 cfm (PCL Connection)  
 Network Con: RJ45

ALSO AVAILABLE IN RIGHT TO LEFT VERSION